

# PRODUCT SPECIFICATION

**MODE: RX5808**

## 5.8G AV receiver Module

	<b>Modulate</b>	Wideband FM Modulate			
	<b>Video Format</b>	NTSC/PAL			
	<b>Characteristics</b>	<b>Value</b>			<b>Units</b>
		<b>Min.</b>	<b>Typ.</b>	<b>Max.</b>	
<b>1</b>	<b>RF input Impedance</b>	---	50	---	Ohm
<b>2</b>	<b>Receive sensitivity</b>	-88	-90	---	dBm
<b>3</b>	<b>Receive Frequency range</b>	5705	---	5945	MHz
<b>4</b>	<b>Operating Voltage</b>	3.5	5.0	5.5	V
<b>5</b>	<b>Supply current</b>	---	170	180	mA
<b>6</b>	<b>Operating Temperature</b>	-10	---	+85	°C
<b>7</b>	<b>Video Band Width</b>	0	---	8.0	MHz
<b>8</b>	<b>Audio carrier Frequency</b>	---	6.5	---	MHz
<b>9</b>	<b>Video output Level</b>	0.9	1.0	1.1	Vp-p
<b>10</b>	<b>Video output Impedance</b>	---	75	---	Ohm
<b>11</b>	<b>Audio output Level</b>	0.5	---	2.0	Vp-p
<b>12</b>	<b>Audio output Impedance</b>	---	10K	---	Ohm
<b>13</b>	<b>Weight</b>	---	10	---	g
<b>14</b>	<b>Dimensions (L x W x H)</b>	<b>28 x 23 x 3 mm</b>			

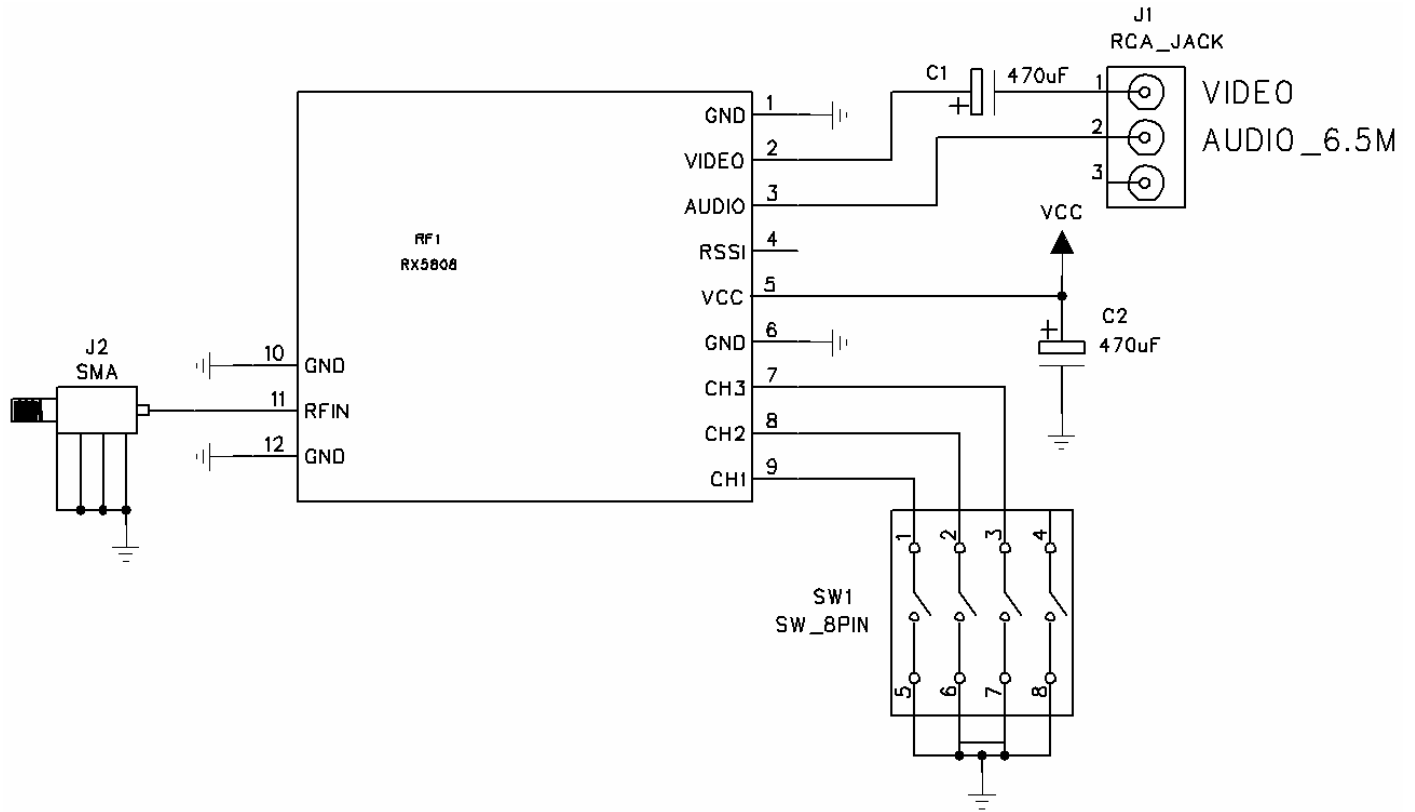
**Picture:**



**Pin descriptions**

		PIN	NAME	I/O	FUNCTION
		1	GND	I	Antenna ground
		2	ANT	I	Antenna input: 50 Ohm
		3	GND	I	Antenna ground
		4	CH1	I	Channel 3 select
		5	CH2	I	Channel 3 select
		6	CH3	I	Channel 3 select
		7	GND	I	Power ground
		8	+5V	I	5V power DC in
		9	RSSI	O	RSSI output voltage
		10	A6.5M	O	Audio output
		11	VIDEO	O	Video output
		12	GND	I	Power ground

**Application diagram:**



**Channel select:**

Channel number	CH1	CH2	CH3	CH4	CH5	CH6	CH7	CH8	
RX frequency(MHz)	5705	5685	5665	5645	5885	5905	5925	5945	
Pin level	CH1	0	1	0	1	0	1	0	1
	CH2	0	0	1	1	0	0	1	1
	CH3	0	0	0	0	1	1	1	1

**Dimension:**

